

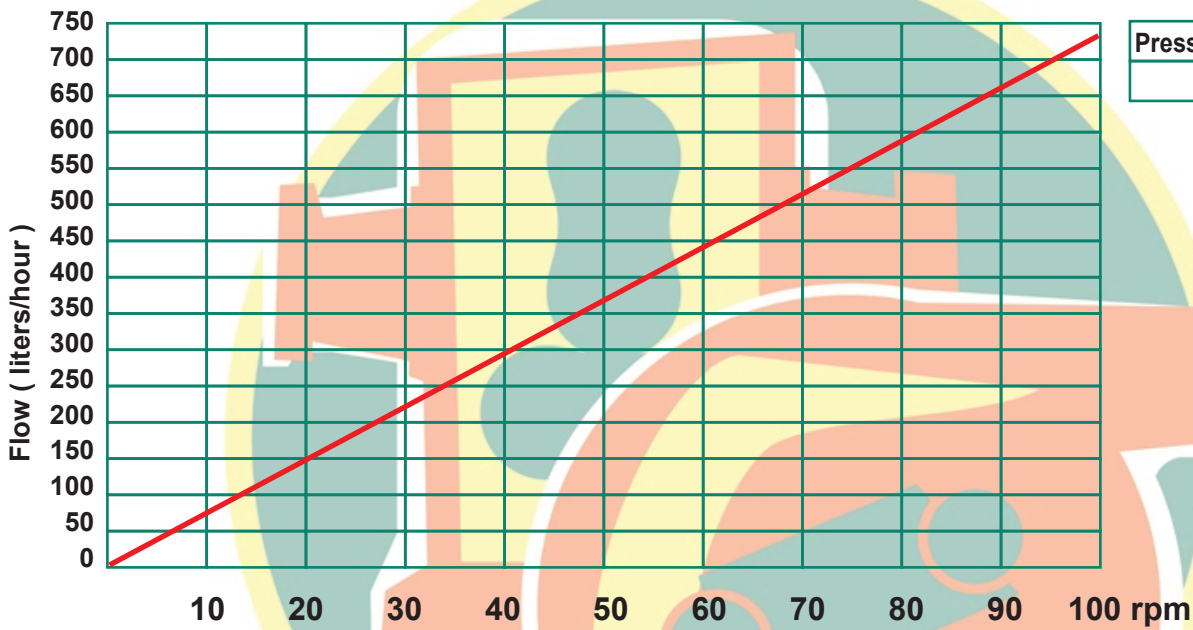


Industrial Peristaltic Pumps

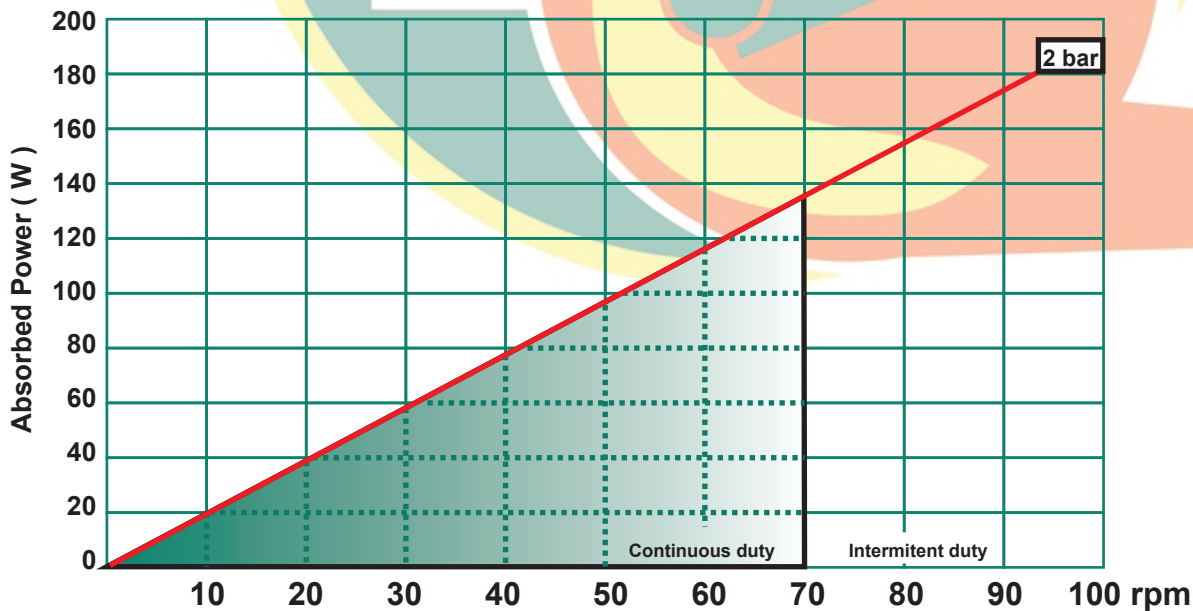
AMP-19D Data sheet



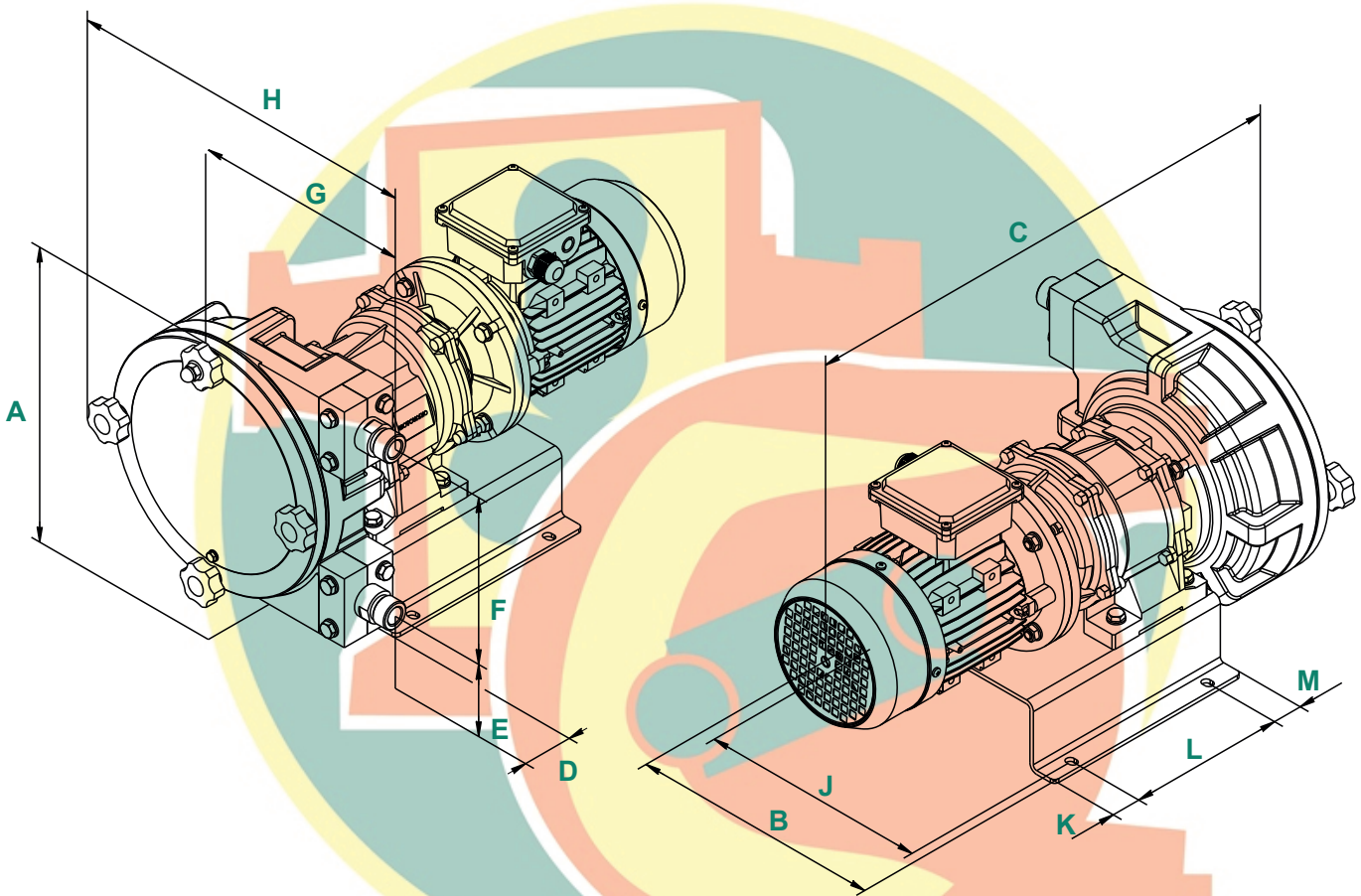
Capacity:	0,123 l/rev.
Connections:	1"
Max. Pressure:	2 bar
Rotor system:	Rollers
Available hoses:	--
Available tubes:	TPV SOLVA®



Pressure (bar)	Torque (Nm)
2	20



Description	Material	Surface treatment
Pump housing	Alluminium EN-AC-44100	Polyester powder coated Halar coated (Optional)
Front cover	Steel F-111 / Polycarbonate	Polyester powder coated Halar coated (Optional)
Rotor	Nodular Cast Iron EN-GJL-400	Cataphoresis
Rollers	Steel F-114	Blueing
Base plate	Steel F-111 Stainless Steel AISI-304 (Optional)	Polyester powder coated --
Connections	Stainless Steel AISI-304 Polypropylene (Optional) PVDF (Optional)	--



A	B	C	D	E	F	G	H	J	K	L	M	Connections
275	210	*	49	60	170	173	303	190	30	160	30	1" BSP

* To confirm according type and power driver.



Bombas Boyser, S.L
 c/ Miquel Martí i Pol, s/n - Pol. Ind. Pla de la Costa
 08182 Sant Feliu de Codines - Barcelona - Spain
 Tel. +34 93 844 77 78 info@boyser.com

www.boyser.com

