



Industrial Peristaltic Pumps

DS-M/LAB Data sheet



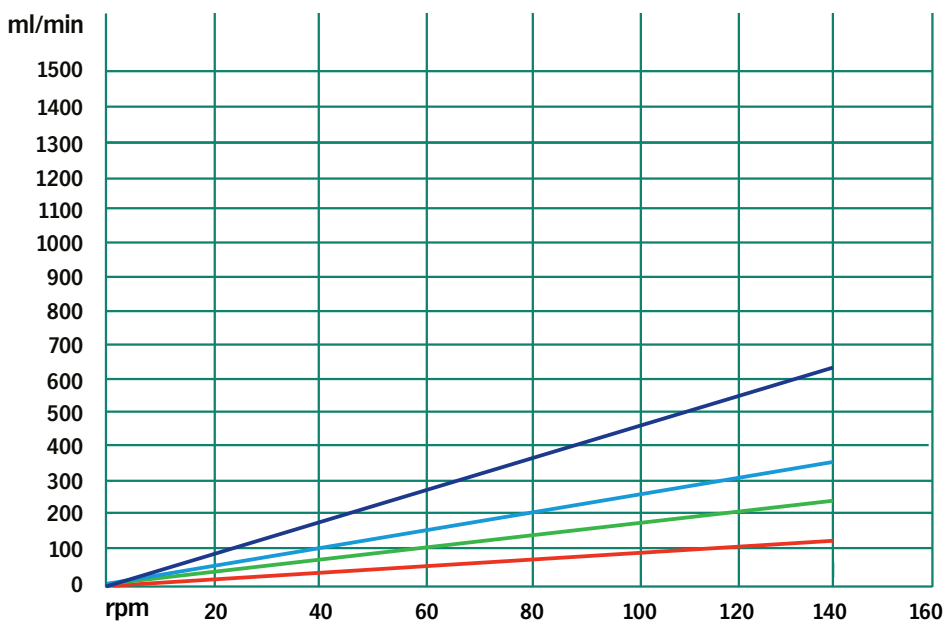
Types of tubes available

Silicone
Norprene[®] A-60-F
Norprene[®] A-60-G

Internal tube diameters available

Ø	ml/rev.
3,2 mm	0,75
4,8 mm	1,72
6,4 mm	2,54
8,0 mm	4,55

Performance table



Ø 8,0 mm tube

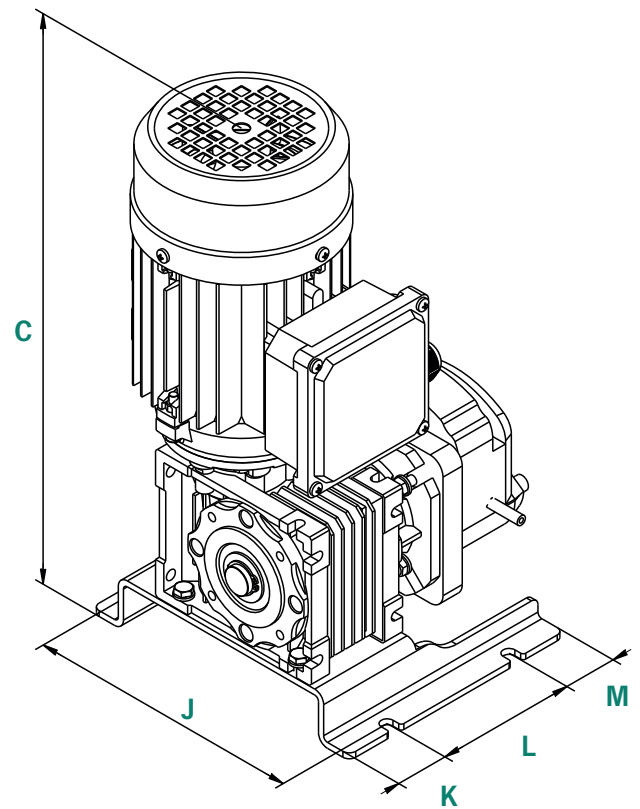
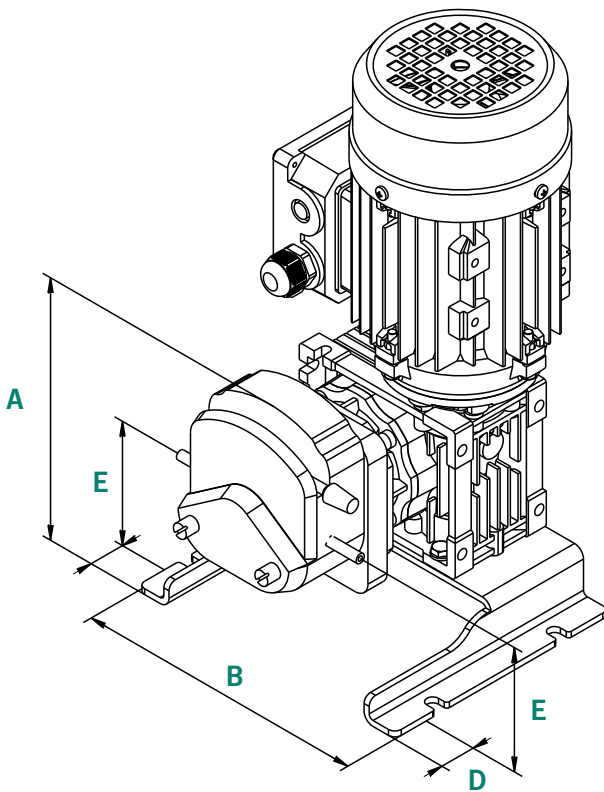
Ø 6,4 mm tube

Ø 4,8 mm tube

Ø 3,2 mm tube



Description	Material	Surface treatment
Pump housing	HDPE	--
Front cover	Methacrylate	--
Rotor	Stainless Steel AISI-304	--
Rollers	Polyamide PA6	--
Base plate	Steel F-111 Stainless Steel AISI-304 (Optional)	Polyester powder coated --



A	B	C	D	E	J	K	L	M	Connections
155	200	*	23	85	187	36	95	36	-

* To confirm according type and power driver.



Bombas Boyser, S.L
 c/ Miquel Martí i Pol, s/n - Pol. Ind. Pla de la Costa
 08182 Sant Feliu de Codines - Barcelona - Spain
 Tel. +34 93 844 77 78 info@boyser.com

www.boyser.com

